

# Digital joystick

46-2F41.1080.000

Distribution by  
Mouser



<https://www.mouser.eao.com/component/46-2F41...>

Your product:

---



46-2F41.1080.000

Digital joystick

*Loading ...*

#### **MOUNTING**

<b>Design:</b>	Raised
<b>Mounting cut-out:</b>	Ø 22.3 mm
<b>Mounting type:</b>	Panel mounting

#### **OPERATING-/INDICATION PART**

<b>Lever colour:</b>	Grey
<b>Lever material:</b>	plastic

#### **ELECTRICAL CHARACTERISTICS**

<b>Pollution degree:</b>	3
<b>Protection class:</b>	II, according to EN / IEC 61140

#### **MECHANICAL CHARACTERISTICS**

<b>Switching action:</b>	Maintained
<b>Switching positions:</b>	2 positions
<b>Switching angle:</b>	28°
<b>Mechanical lifetime:</b>	1 Mil. cycles of operation
<b>Tightening torque:</b>	2 ... 3 Nm (17.7 ... 26.6 Lb-in)
<b>Weight:</b>	0.04 kg

#### **AMBIENT CONDITION**

<b>IP front protection:</b>	IP66
-----------------------------	------

**IK front protection:** IK03

**Operating temperature:** - 40 °C ... + 70 °C

**Shock resistance:** 30g, 18ms (EN-IEC 60068-2-27)  
50g, 11ms (EN-IEC 60068-2-27)

**Vibration resistance:** 5g f= 2...500Hz (EN-IEC 60068-2-6)

**Climate resistance:** +25°C-97%RH / +45°C-93%RH (IEC-EN60068-2-30)

**CERTIFICATE**

**Approbations:** CSA, UL

**Conformities:** CE

**REACH:** REACH compliant

**RoHS:** RoHS compliant

**Standards:** CEI EN 61373, CSA C22-2, IEC EN 60947-1, IEC EN 60947-5-1, UL508

**OTHER**

**Short Description:** Digital joystick, Ø 22.3 mm, Grey, Maintained, IP66, IK03

**Dimension:** 55 mm

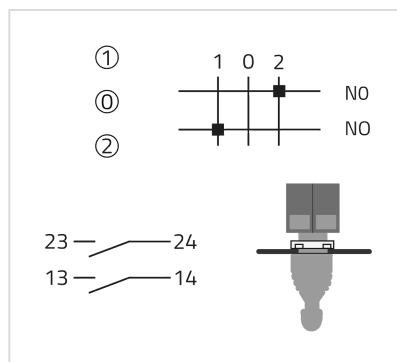
**Housing colour:** Grey

**Housing material:** Plastic

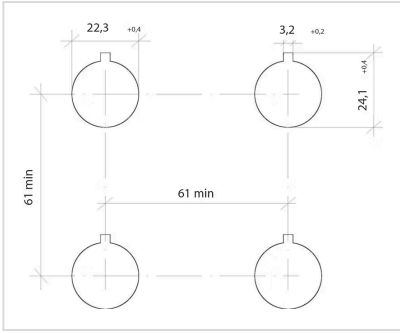
**Colour RAL:** 7016 RAL

**max. number of switching elements:** 4

**Component layouts:**



**Mounting cut-outs:**



**Dimension drawings:**

