

Digital joystick complete

46-2R0T.1010.000

Distribution by
Mouser



<https://www.mouser.eao.com/component/46-2R0T...>

Your product:



46-2R0T.1010.000 Digital joystick complete

Loading ...

MOUNTING

Design:	Raised
Mounting cut-out:	Ø 30.5 mm
Mounting type:	Panel mounting

OPERATING-/INDICATION PART

Lever colour:	Black
Lever material:	plastic

ELECTRICAL CHARACTERISTICS

Contacts:	2 NC / 2 NO
Rated insulation voltage U_i:	U_i 690V - U_{imp} 4kV (IEC-EN60947-1)
Pollution degree:	3
Protection class:	II, according to EN / IEC 61140
Thermal current I_{th}:	10 A

MECHANICAL CHARACTERISTICS

Switching action:	Momentary
Switching positions:	2 positions
Switching angle:	24°
Mechanical lifetime:	2 Mil. cycles of operation
Operating force:	2 N
Tightening torque:	2 ... 3 Nm (17.7 ... 26.6 Lb-in)

Weight: 0.148 kg

AMBIENT CONDITION

IP front protection: IP65

Operating temperature: - 25 °C ... + 65 °C

Shock resistance: 30g, 18ms (EN-IEC 60068-2-27)

Vibration resistance: 5g f= 2...500Hz (EN-IEC 60068-2-6)

CERTIFICATE

Approbations: CSA

Conformities: CE

REACH: REACH compliant

RoHS: RoHS compliant

Standards: CSA C22-2, IEC EN 60947-1, IEC EN 60947-5-1

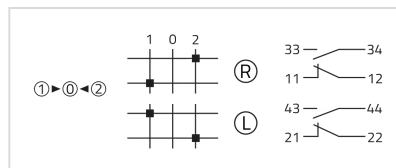
OTHER

Short Description: Digital joystick complete, Momentary, 2 NC / 2 NO

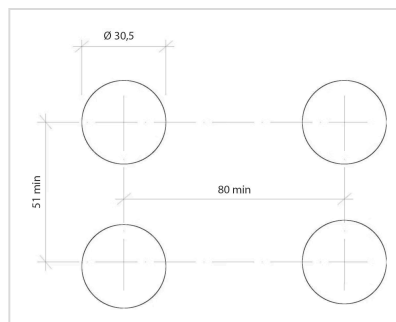
Housing colour: Black

Housing material: Plastic

Component layouts:



Mounting cut-outs:



Dimension drawings:

